



SERVING THE FOOD INDUSTRY SINCE 1951

## 26" 4+2 Tub Capacity Ice Cream Dipping Freezer With Flat Sneeze Guard

ITEM: 44590  
MODEL: FR-CN-0160-S



### Cool Down in Style with Our Ice Cream Display Freezer.

Showcase your ice cream in the most vibrant and efficient way! This sleek, glass-fronted display freezer ensures your treats stay perfectly frozen while attracting customers with a clear view of your colorful selection. Durable, energy-efficient, and easy to maintain—ideal for any business that wants to serve up freshness with every scoop.

#### FEATURES:

- **Compact Size**  
20" width allows appliance to be used in space constrained shops or to utilize small spaces and openings
- **Mobile**  
Comes with 4 casters for mobility and relocation
- **Easy Access**  
Equipped with sliding doors and locks
- **Durable**  
Exterior constructed from white powder coated steel, precoated steel interior wall and plastic trim on edges to prevent injuries and damage

Telephone: 1-800-465-0234

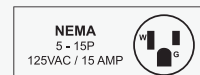
Fax: (905) 607-0234

Email: sales@omcan.com

Website: www.omcan.com

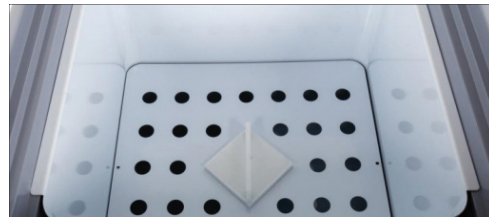


Authorized Dealer



## TECHNICAL SPECIFICATION

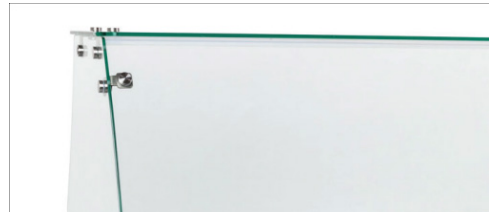
Item	44590
Model	FR-CN-0160-S
Capacity	4+2 3 Gallon tubs
Temperature Range	-26 to 6°C / -15 to 43°F
Number of Doors	1 Sliding Door
Compressor HP	0.25 HP+
Amerage	3A
BTU	717
Door Panel	Glass
Net Dimensions	26" x 28" x 52" (665 x 715 x 1325 mm)
Gross Dimensions	Cabinet: 26" x 30" x 37" (665 x 762 x 940mm), Guard: 26" x 23" x 0.5" (665 x 584 x 12.7mm)
Net Weight	154 lbs. (70 kgs)
Gross Weight	170 lbs. (77 kgs)



6 Tub Storage Under Display

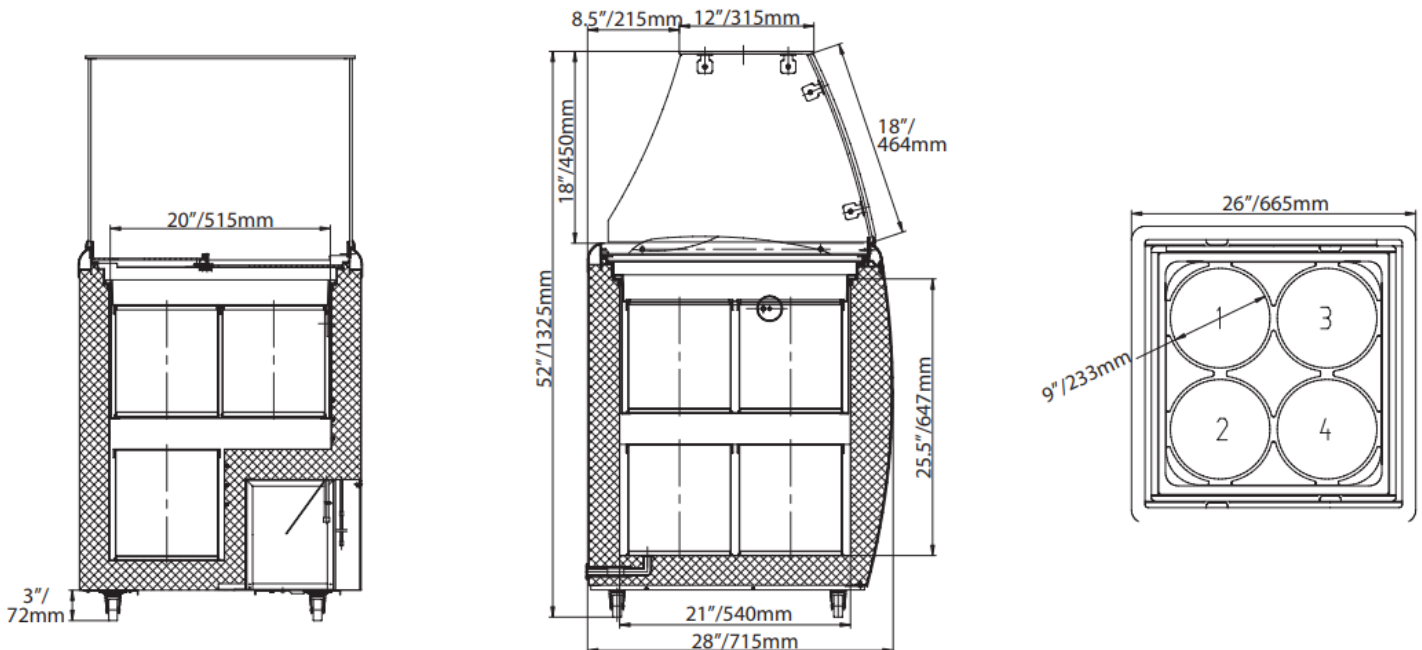


Sliding Door for Easy Access



Sneeze Guard to Prevent Contamination

## TECHNICAL DRAWING



BMAD System (Low maintenance high performance). Dimensions rounded up to the nearest inch or millimeter. Specifications subject to change without notice.